

LUXURY
VINYL
TILES

iD ESSENTIAL 30

FLOOR
IS THE NEW
PLAYGROUND





iD ESSENTIAL 30

With 43 colours, 2 formats and 9 finishes, iD Essential 30 is the best value for money. Mix and match wood, stones and metallic designs, play with colour shades. For commercial environment with light traffic.

Country Oak / Brown



In the iD Essential 30 collection, 3 patterns and 12 different colours are available with embossing in register. This technique is used to create a precise texture that enhances a wood design. The surface is carved to match the natural essence of the wood, but unlike real wood, the surface interior does not absorb water and dirt and can be easily cleaned.

GREAT DESIGN OPTIONS

- 43 colour options and 9 different surface aspects.
- Plank and tile dimensions that you can combine to compose your own flooring expressions.

A PEOPLE-FRIENDLY SOLUTION

- Tarkett aims to provide tangible environmental and health benefits to flooring users, for domestic and light commercial use.

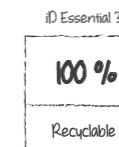
GREAT RESISTANCE AND EASY CLEANING

- Hygienic surface treated with the Tarkett unique TopClean XP coating that strengthens it, extends the life-cycle and simplifies cleaning and maintenance.

A SUSTAINABLE SOLUTION



Total VOC emissions are at least 10 times lower than Europe's strictest standards.



100% recyclable.



Uses a phthalate-free technology, based on alternative plasticizers that can be used for sensitive applications such as the production of toys, food packaging and medical devices.

Country Oak / Brown

Cerused Oak



Aspen Oak



Beech



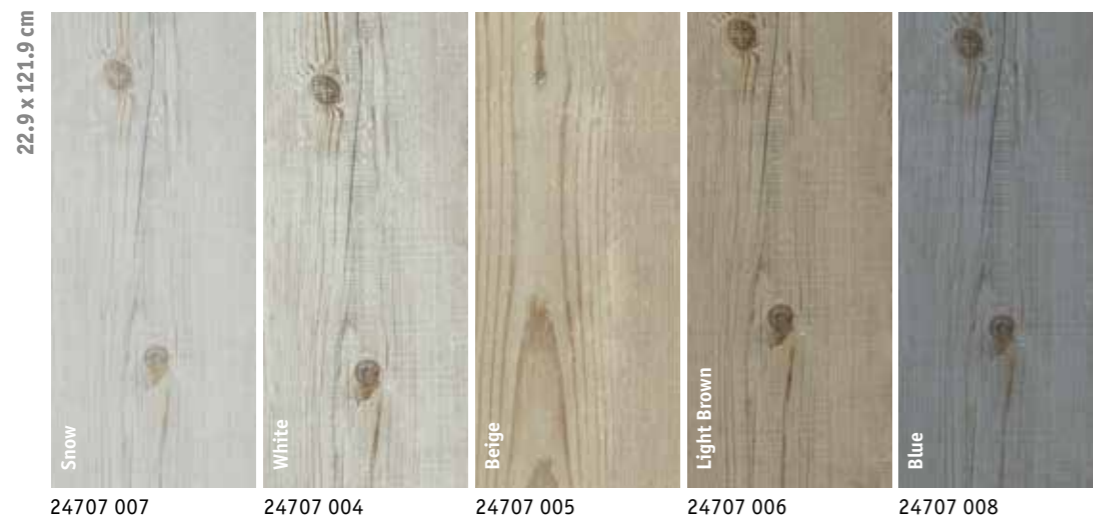
Country Oak



Primary Pine



Washed Pine



Smoked Oak



id ESSENTIAL 30

Soft Oak



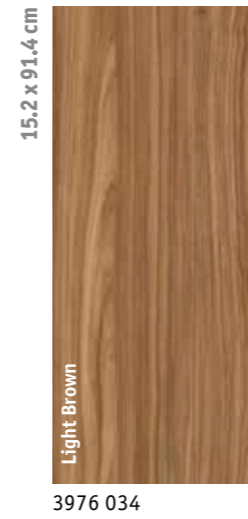
Soft Oak



Maple



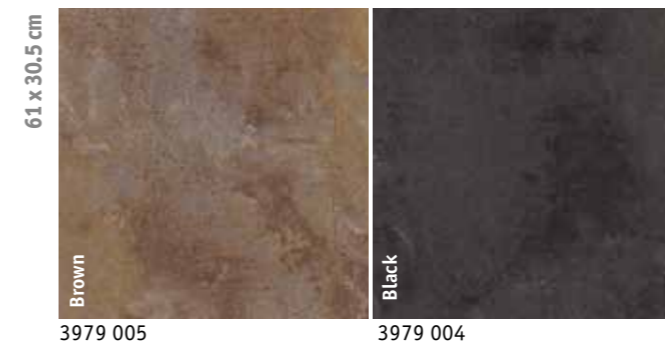
Walnut



Original Slate



Sandstone



Scratched Metal

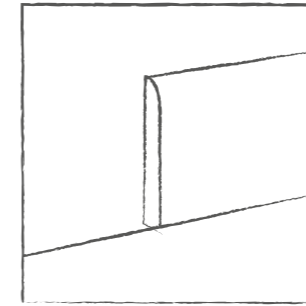


Venezia





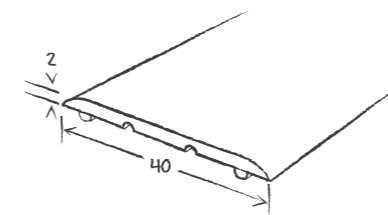
SKIRTING



PVC DECORATIVE SKIRTING

- Compact skirting with decorative film and PUR surface treatment to perfectly match all designs
- 📦 2.02 lm skirting in packs x 10

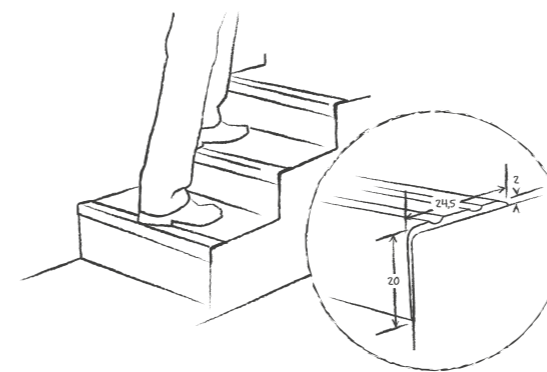
PROFILE



SELF-ADHESIVE TRANSITION PROFILE - MT40SA

Self-adhesive aluminium transition strip, for a perfect transition between different flooring materials

- Silver 1470 008
- 📦 10 units of 2.7 lm



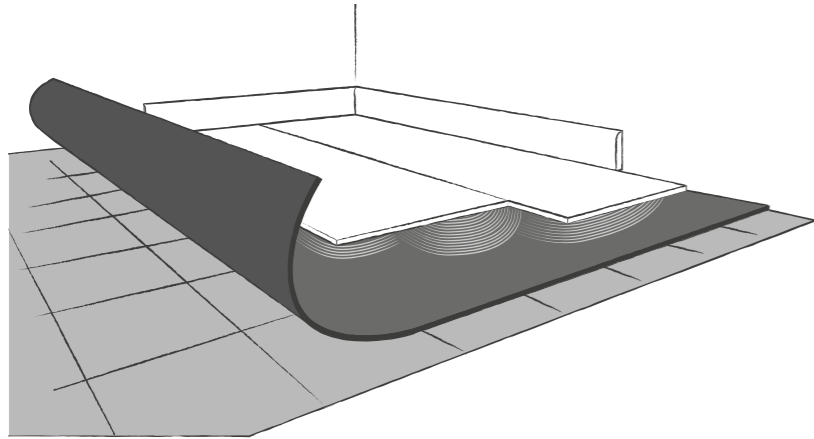
STAIRNOSE - MSN24SA

Aluminum stairnose, self-adhesive, to be screwed

- Silver 1480 008
- 📦 10 units of 2.7 lm

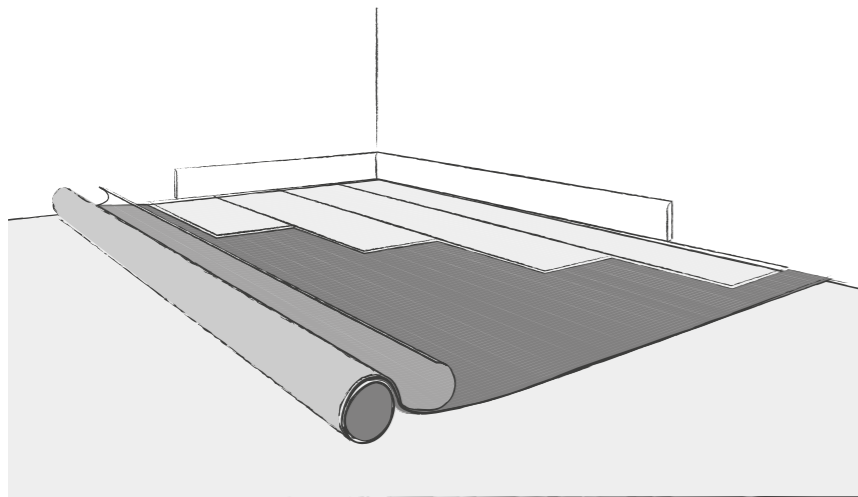
Cerused Oak / Beige - Brown

UNDERLAY



TARKOFLAT LOOSE-LAY

- Ready-to-use solution to reduce slight unevenness by up to 1.5mm depth
- Quick and easy-to-install solution
- Calendered PVC foil, loose-lay (naked)
- Grey 3568 004



TARKOFLAT SELF-ADHESIVE

- Ready-to-use solution to reduce slight unevenness by up to 1.5 mm depth
- Quick and easy-to-install solution
- Environmentally-friendly solution (no adhesive needed)
- Grey 3569 004

*Tarkett recommend a selection of manufacturer adhesive (list available at: professionals.tarkett.com/content/list-recommended-adhesives). It is the responsibility of the adhesive manufacturer and flooring contractor to ensure the product being used is appropriate to use and applied in accordance with the manufacturer recommendations.



Cerused Oak / Beige - Brown

TECHNICAL DATA iD ESSENTIAL 30

Certification & classification	Standards	iD Essential 30
Type of floor covering	EN ISO 10582	Compact Resilient Floorcovering
CE certification	EN 14041	Yes
Classification	EN ISO 10874 (EN 685)	Domestic: 23 Commercial: 31
Technical characteristics		
Total thickness	EN ISO 24346 (EN 428)	2,0 mm
Wear layer thickness	EN ISO 24340	0,3 mm
Total weight	EN ISO 23997	3400 g/m ²
Wear layer binder content	EN ISO 10582	Type I
Dimensions	EN ISO 24342 (EN 427)	
	Planks	15.2 x 91.4 cm - 24 planks /box = 3.34 m ² art. no. 3976 ___ 3 digit colour number 22.9 x 121.9 cm art. no. 3977 / 24707 ___ 3 digit colour number
	Tiles	30.5 x 61.0 cm - 18 tiles/box = 3.34 m ² art. no. 3979 ___ 3 digit colour number
Surface treatment (PUR)		TopCleanXP™
Beveled edges		No
Technical performances		
Dimensional stability	EN ISO 23999 (EN 434)	≤ 0,25 %
Curl resultant to heat	EN ISO 23999 (EN 434)	≤ 2 mm
Reaction to fire	EN 13501-1	B _n -s1 glued over A2fl or A1fl substrate (concrete)
Residual indentation	EN ISO 24343-1 (EN 433)	Required value: ≤ 0,10 mm Average measured value: 0,03 mm
Furniture leg	EN 424	No damage
Castor chair	ISO 4918 - EN 425	No damage
Impact sound reduction	EN ISO 717-2	ΔL _w = 4 dB
Thermal resistance	EN ISO 10456	0,07 m ² K/W
Light fastness	EN ISO 105-B02	≥ 6
Slip resistance	DIN 51130 EN 13893	R9
Electrical properties	EN 1815 EN 1081	< 2 kV on concrete R _t > 10 ¹⁰ Ω
Resistance to chemicals	EN ISO 26987 (EN 423)	Good resistance
Underfloor heating		Suitable - max. 27 °C

The above information is subject to modification for the benefit of further improvement. (01/17).

Tarkett's instructions regarding installation, cleaning and maintenance should be observed. Please contact Tarkett at the address shown for these instructions.

CUSTOMS TARIFF : 4820 5000 00

iD Essential 30



DESIGN	COLOUR	22.9 x 121.9 cm	15.2 x 91.4 cm	61 x 30.5 cm	LRV	SKIRTING
Aspen Oak	Grey	3977 013			22,60%	
	Beige	3977 014			43,70%	
	Natural	3977 016			20,80%	
Beech	Natural		3976 020		29,80%	
	Beige	24707 009			44,20%	26640 707
Cerused Oak	Light Brown	24707 010			29,80%	26641 709
	Brown	24707 011			24,40%	26642 708
Country Oak	Brown	24707 000			11,40%	
	Beige	24707 001			23,60%	26640 738
	Natural	24707 002			13,30%	26640 737
Maple	Grey	24707 003			22,10%	26640 736
	Natural		3976 031		43,10%	
Original Slate	Black			3979 006	4,20%	
	Grey			3979 007	35,00%	
Primary Pine	Dark Brown	3977 017			11,90%	
	Grege	3977 018			30,10%	
	Dark Grey	3977 019			20,30%	
	Natural	3977 020			21,90%	
Sandstone	White	3978 021			57,60%	
	Black			3979 004	6,60%	
	Brown			3979 005	15,60%	
Scratched Metal	Grey			3979 008	20,60%	
	Black	3977 000			4,30%	
Smoked Oak	Brown	3977 001			10,10%	26640 712
	Natural	3977 002			18%	
	Dark Grey	3977 003			15%	26640 711
	Light Grey	3977 004			30,80%	26640 710
	White	3977 005			49,90%	
Soft Oak	Brown	3977 007			14,60%	
	Natural	3977 008	3976 008		22,30%	26640 715
	Beige	3977 009	3976 009		31,40%	26640 717
	Light Grey	3977 010	3976 010		23,70%	26640 719
	White	3977 011			53%	
Venezia	Light Brown	3977 012	3976 012		30,50%	26640 718
	Light Beige	3977 015			40,60%	26640 716
	Grey			3979 001	21,30%	26640 724
Walnut	Beige			3979 002	41,90%	
	Light Brown		3976 034		19%	
Washed Pine	White	24707 004			40,20%	26640 706
	Beige	24707 005			44,40%	26640 704
	Light Brown	24707 006			32,80%	26640 705
Blue	Snow	24707 007			57,20%	26640 702
	Blue	24707 008			26,70%	26640 703

FLOOR IS THE NEW PLAYGROUND

flooristhewnewplayground.tarkett.com

■ **WESTERN EUROPE:** Austria: Tarkett Holding GmbH, Niederlassung Wien – Tel. +43 1 47 88 062 ■ Belgium: Tarkett France Belux – Tel. +32 16 35 98 80 ■ Denmark: Tarkett A/S – Tel. +45 43 90 60 11 ■ Finland: Tarkett Oy – Tel. +358 9 4257 9000 ■ France: Tarkett SAS – Tel. +33 1 41 20 42 49 ■ Germany: Tarkett Holding GmbH, Bereich Objekt – Tel. +49 62 33 810 ■ Greece: Tarkett Monoprosopi Ltd – Tel. +30 210 6745 340 ■ Italy: Tarkett S.p.A. – Tel. +39 0744 7551 ■ Luxembourg: Tarkett GDL SA – Tel. +352 949 211 8804 ■ Netherlands: Tarkett Holding GmbH, Vestiging Nederland – Tel. +31 416 685 491 ■ Norway: Tarkett AS – Tel. +47 32 20 92 00 ■ Portugal: Tarkett SA – Tel. +351 21 427 64 20 ■ Spain: Tarkett Floors S.L – Tel. +34 91 358 00 35 ■ Sweden: Tarkett Sverige AB – Tel. +46 771 25 19 00 ■ Switzerland: Tarkett Holding GmbH, Bereich Objekt Schweiz – Tel. +41 043 233 79 24 ■ Turkey: Tarkett Aspen – Tel. +90 212 213 65 80 ■ United Kingdom: Tarkett Ltd – Tel. +44 (0) 1622 854 040 ■ **EASTERN EUROPE:** Baltic Countries: Tarkett Baltics: Tel. +370 37 262 220 ■ Czech Republic: Tarkett France SAS, org. slozka – Tel. +420-271 001 602 ■ Hungary: Tarkett France SAS – Tel. +36 1 437 8150 ■ Poland: Tarkett Polska Sp. z o.o. – Tel. +48 22 16 09 231 ■ Russian Federation: ZA0 Tarkett RUS – Tel. +7 495 775 3737 ■ Slovakia: Tarkett France SAS, org.zlozka – Tel. +421 248 291 317 ■ South East Europe: Tarkett Trade d.o.o. – Tel. +381 21 7557 649 (44) 569 12 21 ■ Ukraine: Tarkett UA – Tel. +38 (0) 44 569 12 21 ■ **ASIA AND OCEANIA:** Australia: Tarkett Australia Pty Ltd – Tel. +61 2 88 53 12 00 ■ China: Tarkett Floor Covering (Shanghai) Co. Ltd. – Tel. +86 (21) 60 95 68 38 ext 841 ■ North East Asia: Tarkett Hong Kong Limited – Tel. +852 2511 8716 ■ India: Tarkett France (India Branch) – Tel. +91 11 4352 4073 ■ South East Asia: Tarkett Flooring Singapore Pte. Ltd. – Tel. +65 6346 1585 ■ **AFRICA:** Tarkett International: Tel. +33 1 41 20 41 01 ■ **MIDDLE EAST:** Tarkett Middle East: Tel. +961 1 51 3363/4 ■ Israel: Tarkett International: Tel. +33 1 41 20 41 01 ■ **NORTH AMERICA:** USA: Tarkett Inc. – Tel. +1 713 869 5811 / Johnsonite – Tel. +1 440 543 8916 ■ Canada: Tarkett Inc. – Tel. +1 450 293 173 ■ **LATIN AMERICA:** Brazil: Tarkett – Tel. 55 12 3954 7108 ■ Argentina - Chile - Uruguay: Tarkett Latam Mercosur – Tel. +54 11 47 08 07 72 / +54 9 11 44 46 88 82 ■ Bolivia - Colombia - Ecuador - Panama - Paraguay - Peru - Trinidad and Tobago - Venezuela: Tarkett – Tel. +55 11 9 8410 9310 / +55 11 95494 0069 ■ Mexico / Central America: Tarkett Latam Mexico – Tel. +55 11 98410 9310