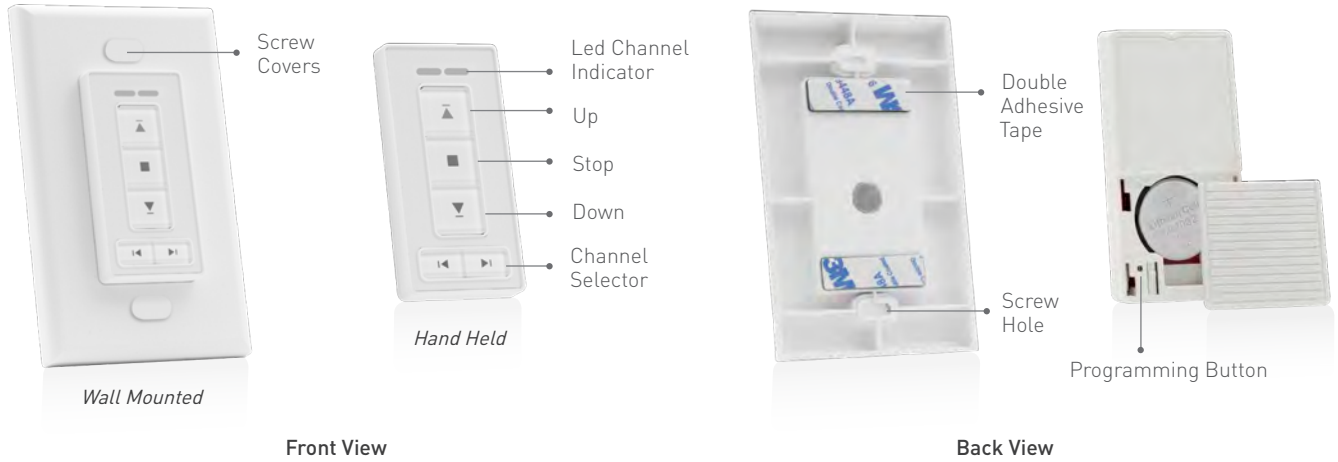




# VTi® CELTIC RF WIRELESS PICK UP WALL SWITCH | 2 CHANNELS

6-700-AT-CRW02



## FEATURES

- Compatible with VTi® Celtic RF Motors.
- Hand held remote and wall mounted control options.
- Easy programming.
- Simple Installation: No wiring or electrical box needed.
- Each channel can control an individual motorized shade or a group of motorized shades.
- Also available in 6 channel version.
- Additional auto programmed channel that controls all the motors linked to the remote.

## IN THE BOX

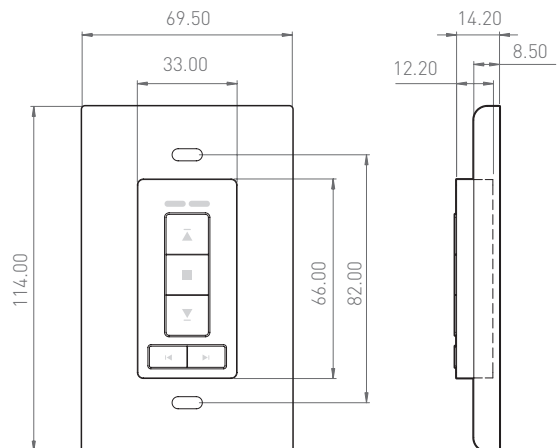


Screws and Covers for Wall Mount

## TECHNICAL SPECS

<b>Model</b>	6-700-AT-CRW02
<b>Channels</b>	2 Channels
<b>Color</b>	White
<b>Net Weight</b>	0.11 lb   50 g
<b>Gross Weight</b>	0.15 lb   68 g
<b>Radio Frequency</b>	433.92 MHz
<b>Index Protection Rating</b>	IP 20
<b>Radiated Power</b>	≤10mW
<b>Battery Type</b>	3V CR2032 (included)
<b>Range</b>	150 ft   45 m (free field)
<b>Working Temperature</b>	-17 ~ 140°F   -27 ~ 60°C
<b>Certificates</b>	FCC & CE Complaint
<b>Price</b>	--

## DIMENSIONS

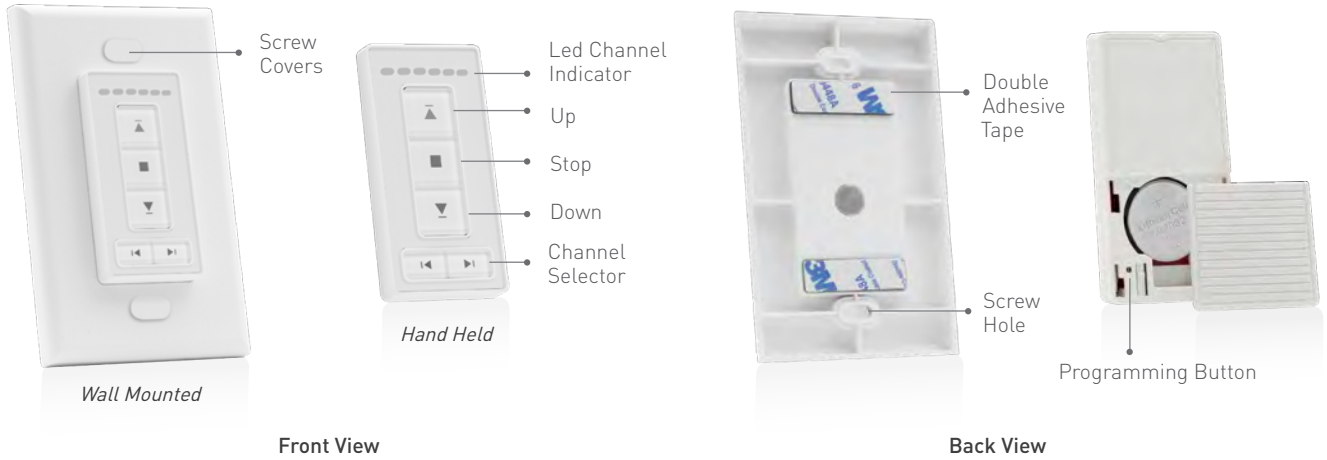


\*All measurements are reflected in millimeters.



# VTi® CELTIC RF WIRELESS PICK UP WALL SWITCH | 6 CHANNELS

6-700-AT-CRW06



## FEATURES

- Compatible with VTi® Celtic RF Motors.
- Hand held remote and wall mounted control options.
- Easy programming.
- Simple Installation: No wiring or electrical box needed.
- Each channel can control an individual motorized shade or a group of motorized shades.
- Also available in 1 channel version.
- Additional auto programmed channel that controls all the motors linked to the remote.

## TECHNICAL SPECS

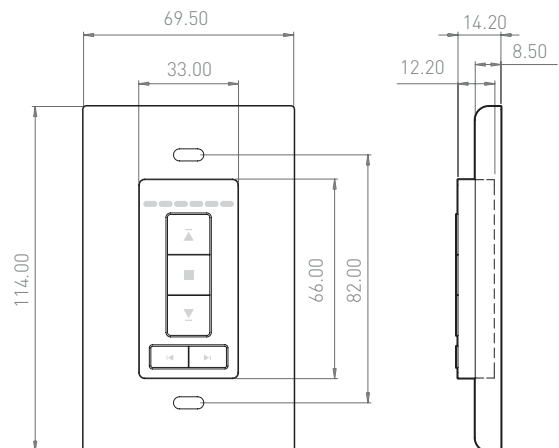
<b>Model</b>	6-700-AT-CRW06
<b>Channels</b>	6 Channels
<b>Color</b>	White
<b>Net Weight</b>	0.11 lb   50 g
<b>Gross Weight</b>	0.15 lb   68 g
<b>Radio Frequency</b>	433.92 MHz
<b>Index Protection Rating</b>	IP 20
<b>Radiated Power</b>	≤10mW
<b>Battery Type</b>	3V CR2032 (included)
<b>Range</b>	150 ft   45 m (free field)
<b>Working Temperature</b>	-17 ~ 140°F   -27 ~ 60°C
<b>Certificates</b>	FCC & CE Compliant
<b>Price</b>	--

## IN THE BOX



Screws and Covers for Wall Mount

## DIMENSIONS



\*All measurements are reflected in millimeters.